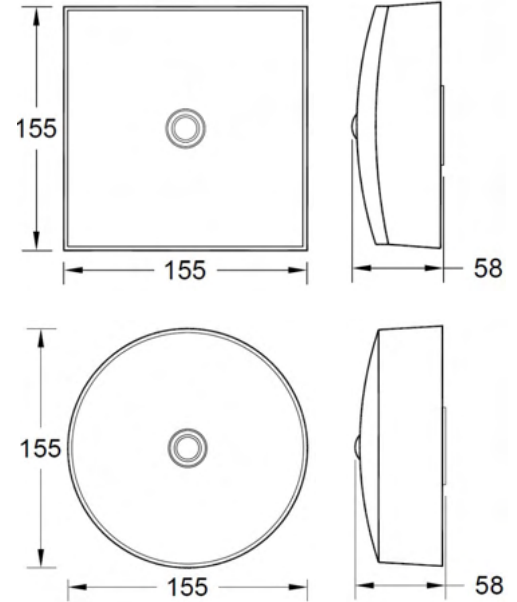


MARLAND RANGE



The Marland Range is a surface mount standalone emergency LED luminaire which incorporates either pen area or corridor LEDs. The unit is designed for non-maintained use. This product operates with the latest LiFePO4 batteries that offer a long life and a low parasitic load.

A 3-hour emergency lighting driver that operates at 700mA in emergency only. This range operates with lithium iron phosphate (LiFePO4) batteries which not only consume far less power under operation, but last far longer than traditional emergency lighting batteries.

The module, batteries and LED all feature plug and play leads for simple installation. Supplied in a white finish as standard, the Maarland range is also available in black and with two optics to choose from, open area and corridor.

Part code	Open Area lm	Corridor lm	Duration hrs	Cells LiFePO4	Weight kg
LUXMAR/NM	266	268	3	3.2V 3.8Ah	0.4
LUXMAR/ST	266	268	3	3.2V 3.8Ah	0.4
LUXMAR/DA	266	268	3	3.2V 3.8Ah	0.4
LUXMAR/ME	266	268	3	3.2V 3.8Ah	0.5

* Following its initial charge, the unit will spend 90% of its operational life in standby mode.

NM = Non-Maintained ST = Self Test Emergency DA = DALI Addressable ME = Mymesh Emergency
 OA = Open Area optic CO = Corridor optic W = White bezel B = Black bezel
 C = Circular S = Square