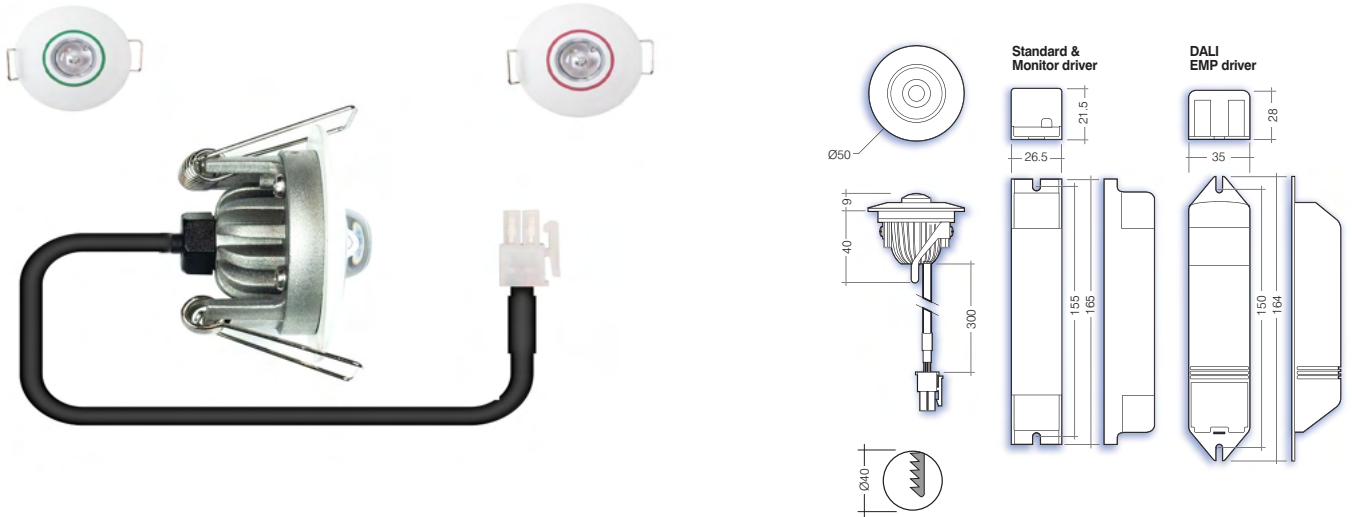


# MALLARD RANGE



IP54
 IK04
 LiFePO4

The Mallard Range is a discrete emergency LED which is designed for ceiling recess applications. The bezel has a diameter of 50mm and the cut out required is 40mm to 43mm.

A 3-hour emergency lighting driver that operates at 700mA in emergency only. This range operates with lithium iron phosphate (LiFePO4) batteries which not only consume far less power under operation, but last far longer than traditional emergency lighting batteries.

The module, batteries and LED all feature plug and play leads for simple installation. Supplied in a white finish as standard, the Mallard range is also available in black and with two optics to choose from, open area and corridor.

Part code	Open Area	Corridor	Duration hrs	Cells LiFePO4	Weight kg
	lm	lm			
LUXMAL/NM	266	268	3	3.2V 3.8Ah	0.6
LUXMAL/ST	266	268	3	3.2V 3.8Ah	0.4
LUXMAL/DA	266	268	3	3.2V 3.8Ah	0.4
LUXMAL/ME	266	268	3	3.2V 3.8Ah	0.5

\* Following its initial charge, the unit will spend 90% of its operational life in standby mode.

NM = Non-Maintained      ST = Self Test Emergency      DA = DALI Addressable      ME = Mymesh Emergency  
 OA = Open Area optic      CO = Corridor optic      W = White bezel      B = Black bezel